

CIRCULATORS WITH SPHERICAL IMPELLER FOR SANITARY HOT WATER



Circulation pump for closed and pressurised or open tank domestic hot water systems.

Brass enbloc body, steel spherical impeller, wet rotor motor.

Version with pump body for connections (V version) incorporating the check valve and the on-off ball valve and version with pump body featuring R 1/2"



thread (R version) in which the valves (check and on-off) must be installed separately.

- Protection level: IP 44
- Max. operating pressure: 10 bar
- Max. operating temperature: 95°C

ACCESSORIES

Check valve RV 153 - 1/2" thread

On-off ball valve KV 150 - 1/2" thread

Circulation adjuster ZR 30/50 - 1/2" thread

Vent flange EF 150 - Special thread

Impeller/rotor

Motor BWZ 152 KT - Mechanical timer

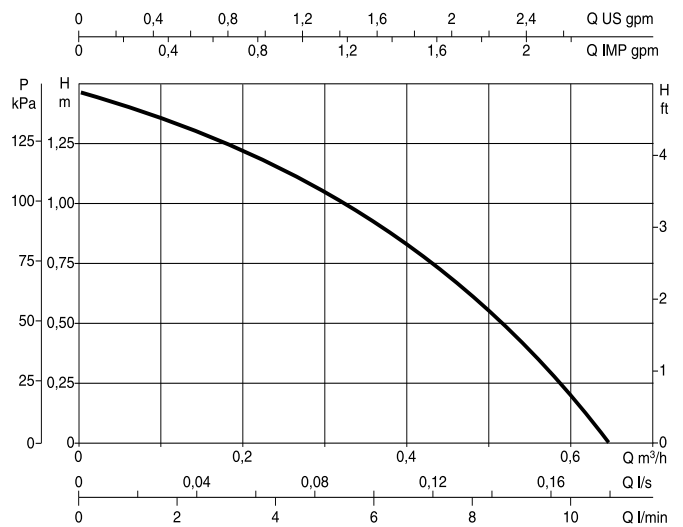
Motor BWZ 152 or T - Mechanical timer

Motor BW 152 KT - without timer

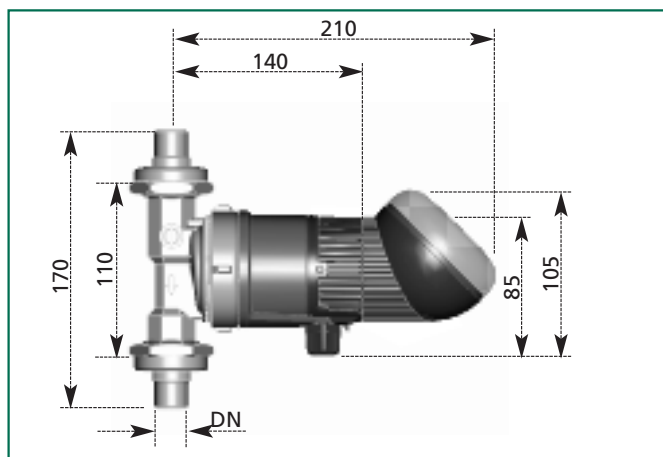
Motor BWZ 152 or T - without timer

Timer Z 152 KT - mechanical timer

Timer Z 152 or T - Mechanical timer

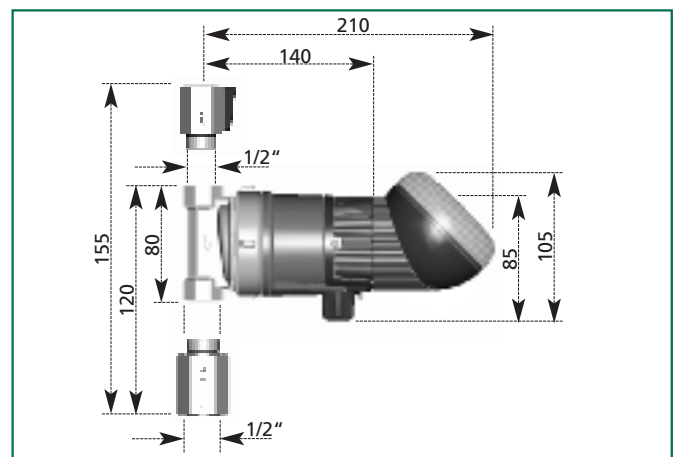


CIRCULATORS with pump body for V connections



MODEL	VERSIONS	VOLTAGE 50 Hz	PUMP COUPLINGS	CENTRE DISTANCE mm
BWZ 152 V KT	daily mechanical	1 x 230 V~	1/2"	110
BWZ 152 V o T	daily mechanical	1 x 230 V~	1/2"	110
BW 152 V KT	without timer	1 x 230 V~	1/2"	110
BW 152 V o T	without timer	1 x 230 V~	1/2"	110

CIRCULATORS with pump body featuring R 1/2" thread



MODEL	VERSIONS	VOLTAGE 50 Hz	PUMP COUPLINGS	CENTRE DISTANCE mm
BWZ 152 R 1/2" KT	daily mechanical	1 x 230 V~	1/2"	80
BWZ 152 R 1/2" o T	daily mechanical	1 x 230 V~	1/2"	80
BW 152 R 1/2" KT	without timer	1 x 230 V~	1/2"	80
BW 152 R 1/2" o T	without timer	1 x 230 V~	1/2"	80