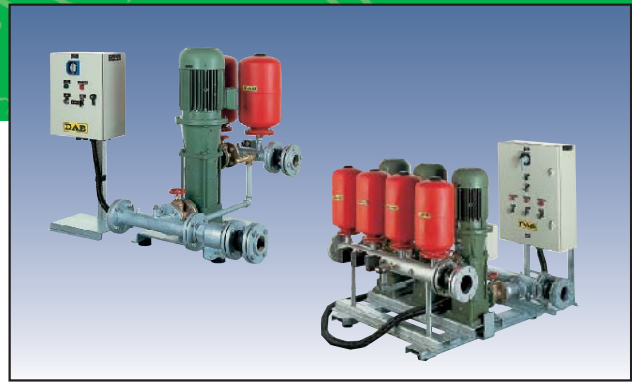


1-2-3 KV 32 - 40 - 50 SETS WITH MULTISTAGE CENTRIFUGAL PUMPS ON A VERTICAL AXIS



These sets use "KV" vertical multi-impeller electropumps and are universally esteemed for their high performance, versatility in use and very quiet running. Used in large civil installations, their choice must be decided by highly skilled technicians who are able to assess the real needs of the installations for which they are designed.

HYDRAULIC PART

- 1-2-3 KV 32 - KV 40 - KV 50 vertical multi-impeller electropumps
- Pump support bracket in hot galvanized sheet steel complete with 4 anti-vibration rubber feet
- Threaded suction and delivery manifolds in tropicalized galvanized steel for KV 32 sets, flanged and complete with a blank flange for KV 40 and KV 50 sets
- Interception valves in the suction and delivery sides, threaded for KV 32 sets; flanged for KV 40 and KV 50 sets
- Non return valve on the suction side, threaded for KV 32 sets; flanged for KV 40 and KV 50 sets
- Anti-vibration flexible pipe for connection to the delivery pipe for KV 32 sets
- Anti-vibration flexible couplings for connection to the suction and delivery pipes for KV 40 and KV 50 sets
- By-pass circuit complete with interception valve and automatic safety valve
- Radial pressure gauge with interception valve
- Movable galvanized steel support for the electric control panel
- Membraned pressure vessels

ELECTRICAL PART

ELECTRICAL POWER PANEL

Direct starting for single motor inputs up to 11 kW inclusive.
Star-Delta starting for 5.5 kW single motor inputs.
IP 55 sheet steel cabinet with lever closing system and lock. Door lock switch,

remote motor protector with overload relay and pump fuses, low voltage auxiliary circuit (24V) for remote motor protector control, adjustable delayed pump stopping timer (additional running), starting order swapping system for 2-3 pump units. Automatic (by pressure switches on delivery manifold) or Manual pump mode switches. Terminal board fitted for minimum pressure switch, float switch preventing the pump from working without water and remote starting.

CONTROL PRESSURE SWITCHES

Pre-calibrated pump control pressure switches installed on delivery manifold. The pressure switches use the remote motor protector to invert the pumps in a cascade sequence.

PILOT - COMPENSATION PUMP (cuts in for small deliveries of water in the system - prevents unnecessary pump starting).

The units are also available with the KV 3 - KV 6 pilot pump complete with valves and connected to the suction and delivery manifolds. Pilot pump command and protection circuit inside the main pump electrical power panel for units 1-2 K. Separate electric power panel for units 3 K.

WEEKLY TEST

(to be requested when ordering - it cannot be added later)
Boosters are available also with weekly test system, including a programmable timer, an acoustic alarm, an electrovalve placed on delivery manifold, an emergency push button, a minimum pressure switch.

At the the end of the test, should there be any pumps failure, the acoustic alarm is activated.

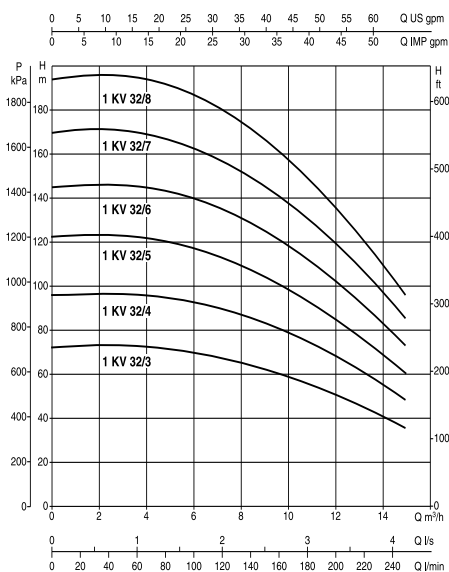
If these boosters are used for fire fighting system , we recommend to use weekly test.

1 KV 32/7 - 1 KV 32/8 - 1 KV 40/7 - 1 KV 40/8 - 1 KV 50/7 - 1 KV 50/8 - 1 KV 50/9 sets are supplied without membraned pressure vessels and without flexible couplings.

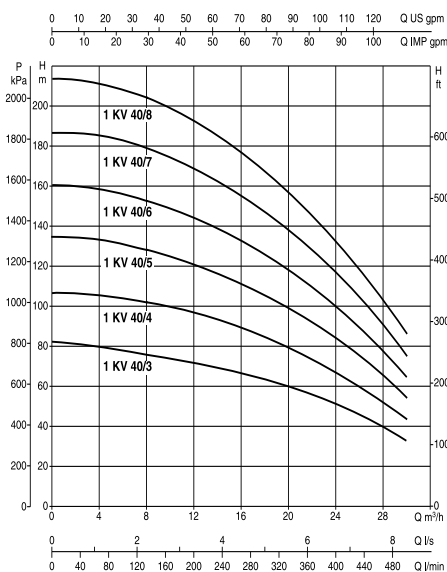
The sets are supplied complete with sturdy cardboard packing on a wooden pallet, with instructions leaflet and wiring diagram.

PERFORMANCE RANGE

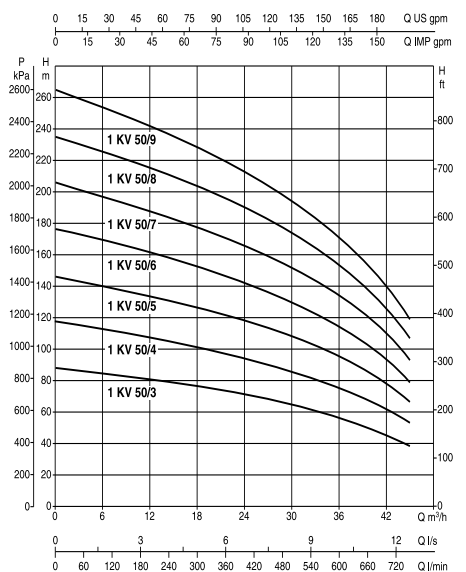
1 KV 32



1 KV 40

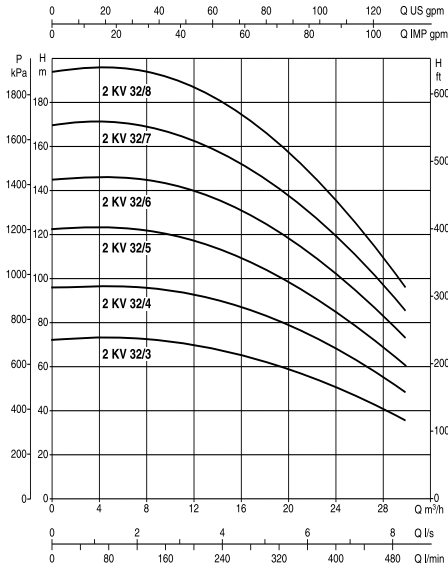


1 KV 50

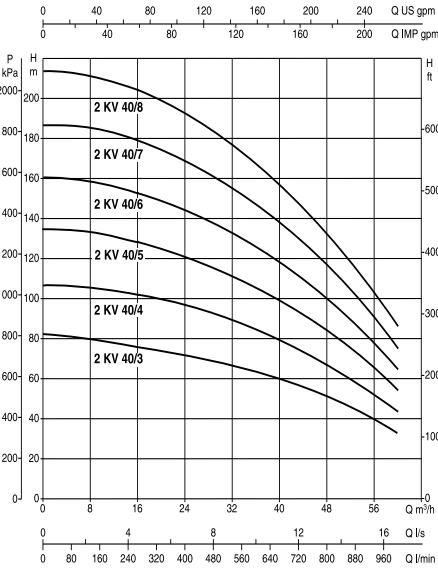


PERFORMANCE RANGE

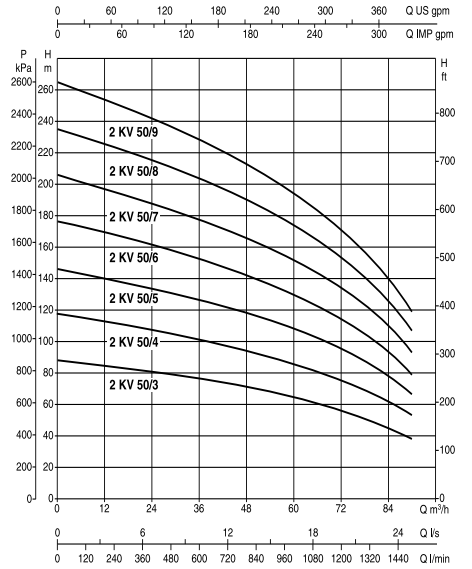
2 KV 32



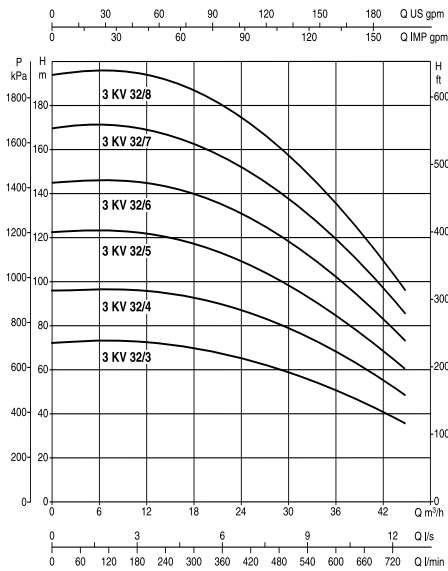
2 KV 40



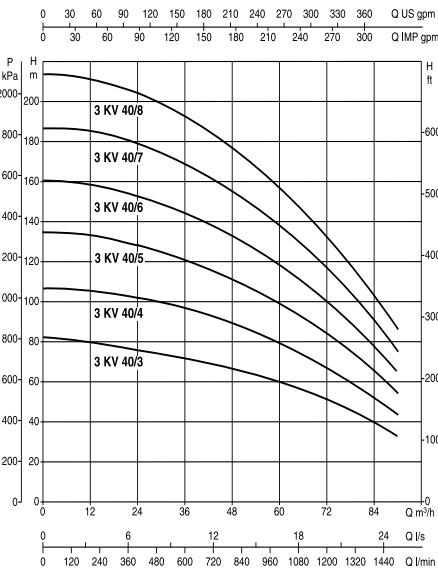
2 KV 50



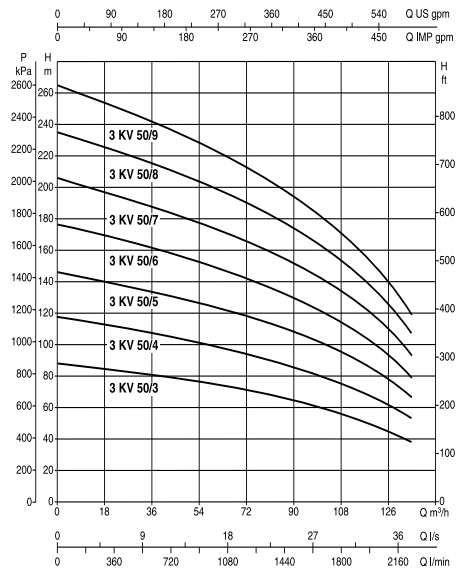
3 KV 32



3 KV 40



3 KV 50



ELECTRICAL AND HYDRAULIC DATA

1KV

MODEL	VOLTAGE 50 Hz	P2 NOMINAL		In A	FLOW RATE m ³ /h ⁽¹⁾	PRESSURE SWITCH SETTING IN BAR	MAX PRESSURE OBTAINABLE BAR	PILOT PUMP *		
		KW	HP					TYPE	P2 KW HP	
1 KV 32/3 T	3x400 V ~	3	4	12-7	15,0-4,0	5÷6	7,1	KV 3/10 T	1,1	1,5
1 KV 32/4 T	3x400 V ~	4	5,5	16-9	15,0-4,0	7÷8	9,6	KV 3/15 T	1,85	2,5
1 KV 32/5 T	3x400 V ~	5,5	7,5	12	15,0-4,0	9÷10	12	KV 3/18 T	2,2	3
1 KV 32/6 T	3x400 V ~	7,5	10	15	15,0-4,0	11÷12	14,5	-	-	-
1 KV 32/7 T	3x400 V ~	7,5	10	15	15,0-4,0	13÷14	17	-	-	-
1 KV 32/8 T	3x400 V ~	9,2	12,5	18	15,0-4,0	15÷16	19,6	-	-	-
1 KV 40/3 T	3x400 V ~	5,5	7,5	12	30,0-8,0	5÷6	7,85	KV 3/12 T	1,1	1,5
1 KV 40/4 T	3x400 V ~	7,5	10	15	30,0-8,0	7÷8	10,4	KV 3/15 T	1,85	2,5
1 KV 40/5 T	3x400 V ~	9,2	12,5	18	30,0-8,0	9÷10	13	KV 3/18 T	2,2	3
1 KV 40/6 T	3x400 V ~	11	15	22	30,0-8,0	12÷13	15,7	-	-	-
1 KV 40/7 T	3x400 V ~	15	20	30	30,0-8,0	14÷15	18,5	-	-	-
1 KV 40/8 T	3x400 V ~	15	20	30	30,0-8,0	16÷17	21	-	-	-
1 KV 50/3 T	3x400 V ~	9,2	12,5	18	46,0-12,0	6÷7	8,6	KV 3/12 T	1,5	2
1 KV 50/4 T	3x400 V ~	11	15	22	46,0-12,0	8÷9	11,5	KV 3/15 T	1,85	2,5
1 KV 50/5 T	3x400 V ~	15	20	30	46,0-12,0	10÷11	14,8	KV 3/18 T	2,2	3
1 KV 50/6 T	3x400 V ~	18,5	25	36	46,0-12,0	12÷13	17,6	-	-	-
1 KV 50/7 T	3x400 V ~	22	30	40	46,0-12,0	14÷15	20,4	-	-	-
1 KV 50/8 T	3x400 V ~	22	30	40	46,0-12,0	16÷17	23	-	-	-
1 KV 50/9 T	3x400 V ~	30	40	56	46,0-12,0	18÷19	26	-	-	-

2KV

2 KV 32/3 T	3x400 V ~	2x3	2x4	2x12-7	30,0-8,0	4,5÷6	7,1	KV 3/10 T	1,1	1,5
2 KV 32/4 T	3x400 V ~	2x4	2x5,5	2x16-9	30,0-8,0	6,5÷8	9,6	KV 3/15 T	1,85	2,5
2 KV 32/5 T	3x400 V ~	2x5,5	2x7,5	2x12	30,0-8,0	8,5÷10	12	KV 3/18 T	2,2	3
2 KV 32/6 T	3x400 V ~	2x7,5	2x10	2x15	30,0-8,0	10,5÷12	14,5	-	-	-
2 KV 32/7 T	3x400 V ~	2x7,5	2x10	2x15	30,0-8,0	12,5÷14	17	-	-	-
2 KV 32/8 T	3x400 V ~	2x9,2	2x12,5	2x18	30,0-8,0	14,5÷16	19,6	-	-	-
2 KV 40/3 T	3x400 V ~	2x5,5	2x7,5	2x12	60,0-16,0	4,5÷6	7,85	KV 3/12 T	1,5	2
2 KV 40/4 T	3x400 V ~	2x7,5	2x10	2x15	60,0-16,0	6,5÷8	10,4	KV 3/15 T	1,85	2,5
2 KV 40/5 T	3x400 V ~	2x9,2	2x12,5	2x18	60,0-16,0	8,5÷10	13	KV 3/18 T	2,2	3
2 KV 40/6 T	3x400 V ~	2x11	2x15	2x22	60,0-16,0	11,5÷13	15,7	-	-	-
2 KV 40/7 T	3x400 V ~	2x15	2x20	2x30	60,0-16,0	13,5÷15	18,5	-	-	-
2 KV 40/8 T	3x400 V ~	2x15	2x20	2x30	60,0-16,0	15,5÷17	21	-	-	-
2 KV 50/3 T	3x400 V ~	2x9,2	2x12,5	2x18	92,0-24,0	5,5÷7	8,6	KV 3/12 T	1,5	2
2 KV 50/4 T	3x400 V ~	2x11	2x15	2x22	92,0-24,0	7,5÷9	11,5	KV 3/15 T	1,85	2,5
2 KV 50/5 T	3x400 V ~	2x15	2x20	2x30	92,0-24,0	9,5÷11	14,8	KV 3/18 T	2,2	3
2 KV 50/6 T	3x400 V ~	2x18,5	2x25	2x36	92,0-24,0	11,5÷13	17,6	-	-	-
2 KV 50/7 T	3x400 V ~	2x22	2x30	2x40	92,0-24,0	13,5÷15	20,4	-	-	-
2 KV 50/8 T	3x400 V ~	2x22	2x30	2x40	92,0-24,0	15,5÷17	23	-	-	-
2 KV 50/9 T	3x400 V ~	2x30	2x40	2x56	92,0-24,0	17,5÷19	26	-	-	-

3KV

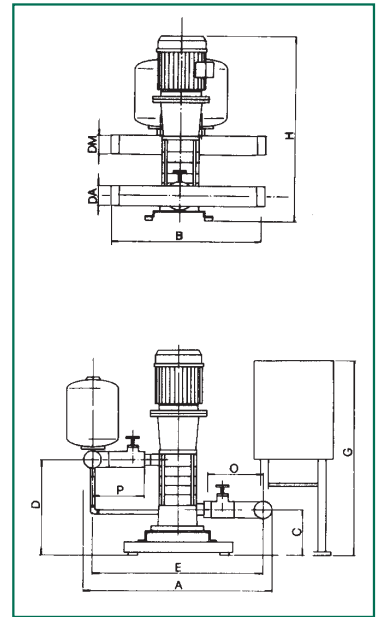
3 KV 32/3 T	3x400 V ~	3x3	3x4	3x12-7	45,0-12,0	4÷6	7,1	KV 3/10 T	1,1	1,5
3 KV 32/4 T	3x400 V ~	3x4	3x5,5	3x16-9	45,0-12,0	6÷8	9,6	KV 3/15 T	1,85	2,5
3 KV 32/5 T	3x400 V ~	3x5,5	3x7,5	3x12	45,0-12,0	9÷11	12	KV 3/18 T	2,2	3
3 KV 32/6 T	3x400 V ~	3x7,5	3x10	3x15	45,0-12,0	12÷14	14,5	-	-	-
3 KV 32/7 T	3x400 V ~	3x7,5	3x10	3x15	45,0-12,0	13÷15	17	-	-	-
3 KV 32/8 T	3x400 V ~	3x9,2	3x12,5	3x18	45,0-12,0	15÷17	19,6	-	-	-
3 KV 40/3 T	3x400 V ~	3x5,5	3x7,5	3x12	90,0-24,0	5÷7	7,85	KV 3/12 T	1,5	2
3 KV 40/4 T	3x400 V ~	3x7,5	3x10	3x15	90,0-24,0	7÷9	10,4	KV 3/15 T	1,85	2,5
3 KV 40/5 T	3x400 V ~	3x9,2	3x12,5	3x18	90,0-24,0	9÷11	13	KV 3/18 T	2,2	3
3 KV 40/6 T	3x400 V ~	3x11	3x15	3x22	90,0-24,0	11÷13	15,7	-	-	-
3 KV 40/7 T	3x400 V ~	3x15	3x20	3x30	90,0-24,0	13÷15	18,5	-	-	-
3 KV 40/8 T	3x400 V ~	3x15	3x20	3x30	90,0-24,0	15÷17	21	-	-	-
3 KV 50/3 T	3x400 V ~	3x9,2	3x12,5	3x18	138,0-36,0	5÷7	8,6	KV 3/12 T	1,5	2
3 KV 50/4 T	3x400 V ~	3x11	3x15	3x22	138,0-36,0	7÷9	11,5	KV 3/15 T	1,85	2,5
3 KV 50/5 T	3x400 V ~	3x15	3x20	3x30	138,0-36,0	10÷12	14,8	KV 3/18 T	2,2	3
3 KV 50/6 T	3x400 V ~	3x18,5	3x25	3x36	138,0-36,0	12÷14	17,6	-	-	-
3 KV 50/7 T	3x400 V ~	3x22	3x30	3x40	138,0-36,0	13÷15	20,4	-	-	-
3 KV 50/8 T	3x400 V ~	3x22	3x30	3x40	138,0-36,0	16÷18	23	-	-	-
3 KV 50/9 T	3x400 V ~	3x30	3x40	3x56	138,0-36,0	18÷20	26	-	-	-

(1) All data refer to groups considering the service pumps.
* Pilot pump on request

1 KV 32 - 40 - 50

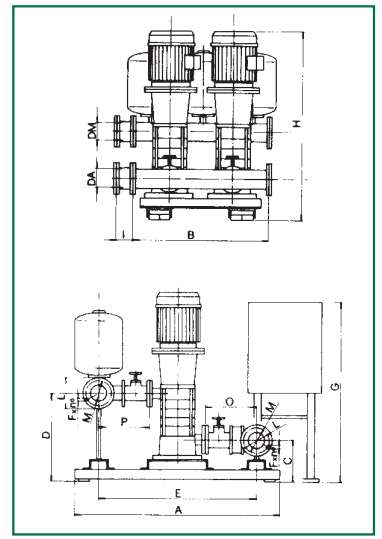
MODEL	A	B	C	D	E	G	H	O	P	I	L	M	Fxn°	Ø MANIFOLD		WEIGHT Kg.
														SUCTION	DELIVERY	
1 KV 32/3	1005	550	190	334	830	1005	334	310	220	-	-	-	-	1 1/2"	2"	180
1 KV 32/4	1005	550	190	380	830	1005	920	310	220	-	-	-	-	1 1/2"	2"	193
1 KV 32/5	1005	550	190	424	830	1005	424	310	220	-	-	-	-	1 1/2"	2"	218
1 KV 32/6	1005	550	190	469	830	1005	469	310	220	-	-	-	-	1 1/2"	2"	224
1 KV 32/7	1005	550	190	514	830	1005	514	310	220	-	-	-	-	1 1/2"	2"	230
1 KV 32/8	1005	550	190	559	830	1005	559	310	220	-	-	-	-	1 1/2"	2"	240
1 KV 40/3	1155	550	200	455	795	1005	970	245	230	115	185	145	18x4	DN 65 - PN 16	DN 65 - PN 16	290
1 KV 40/4	1155	550	200	415	795	1005	1020	245	230	115	185	145	18x4	DN 65 - PN 16	DN 65 - PN 16	300
1 KV 40/5	1155	550	200	465	795	1005	1070	245	230	115	185	145	18x4	DN 65 - PN 16	DN 65 - PN 16	311
1 KV 40/6	1155	550	200	515	795	1005	1200	245	230	115	185	145	18x4	DN 65 - PN 16	DN 65 - PN 16	362
1 KV 40/7	1155	550	200	565	795	1005	1315	245	230	115	185	145	18x4	DN 65 - PN 25	DN 65 - PN 25	375
1 KV 40/8	1155	550	200	615	795	1005	1365	245	230	115	185	145	18x4	DN 65 - PN 25	DN 65 - PN 25	382
1 KV 50/3	1175	550	233	423	855	1005	1060	250	235	130	200	160	18x4	DN 80 - PN 16	DN 80 - PN 16	390
1 KV 50/4	1175	550	233	477	855	1005	1180	250	235	130	200	160	18x4	DN 80 - PN 16	DN 80 - PN 16	418
1 KV 50/5	1175	550	233	531	855	1005	1310	250	235	130	200	160	18x4	DN 80 - PN 16	DN 80 - PN 16	470
1 KV 50/6	1175	550	233	585	855	1005	1405	250	235	130	200	160	18x4	DN 80 - PN 16	DN 80 - PN 16	485
1 KV 50/7	1175	550	233	639	855	1005	1485	250	235	130	200	160	18x4	DN 80 - PN 25	DN 80 - PN 25	503
1 KV 50/8	1175	550	233	693	855	1005	1540	250	235	130	200	160	18x4	DN 80 - PN 25	DN 80 - PN 25	513
1 KV 50/9	1175	550	233	747	855	1005	1690	250	235	130	200	160	18x4	DN 80 - PN 25	DN 80 - PN 25	650

DIMENSIONS AND WEIGHTS



2 KV 32 - 40 - 50

2 KV 32/3	1100	1000	245	384	830	1150	915	320	190	-	-	-	-	2 1/2"	2 1/2"	360
2 KV 32/4	1100	1000	245	429	830	960	915	320	190	-	-	-	-	2 1/2"	2 1/2"	375
2 KV 32/5	1100	1000	245	474	830	1250	1080	320	190	-	-	-	-	2 1/2"	2 1/2"	425
2 KV 32/6	1100	1000	245	519	830	1250	1125	320	190	-	-	-	-	2 1/2"	2 1/2"	446
2 KV 32/7	1100	1000	245	564	830	1250	1170	320	190	-	-	-	-	2 1/2"	2 1/2"	458
2 KV 32/8	1100	1000	245	609	830	1250	1215	320	190	-	-	-	-	2 1/2"	2 1/2"	470
2 KV 40/3	1300	1000	260	425	1030	1140	1030	450	250	135	220	180	18x8	DN 100 - PN 16	DN 100 - PN 16	565
2 KV 40/4	1300	1000	260	470	1030	1250	1080	450	250	135	220	180	18x8	DN 100 - PN 16	DN 100 - PN 16	584
2 KV 40/5	1300	1000	260	530	1030	1250	1130	450	250	135	220	180	18x8	DN 100 - PN 16	DN 100 - PN 16	602
2 KV 40/6	1300	1000	260	575	1030	1250	1250	450	250	135	220	180	18x8	DN 100 - PN 16	DN 100 - PN 16	650
2 KV 40/7	1300	1000	260	625	1030	1250	1375	450	250	135	220	180	18x8	DN 100 - PN 25	DN 100 - PN 25	752
2 KV 40/8	1300	1000	260	675	1030	1250	1425	450	250	135	220	180	18x8	DN 100 - PN 25	DN 100 - PN 25	780
2 KV 50/3	1400	1000	300	483	1130	1250	1120	500	270	170	250	210	18x8	DN 125 - PN 16	DN 125 - PN 16	740
2 KV 50/4	1400	1000	300	537	1130	1250	1240	500	270	170	250	210	18x8	DN 125 - PN 16	DN 125 - PN 16	790
2 KV 50/5	1400	1000	300	591	1130	1250	1380	500	270	170	250	210	18x8	DN 125 - PN 16	DN 125 - PN 16	885
2 KV 50/6	1400	1000	300	645	1130	1250	1465	500	270	170	250	210	18x8	DN 125 - PN 16	DN 125 - PN 16	906
2 KV 50/7	1400	1000	300	699	1130	1250	1545	500	270	170	250	210	18x8	DN 125 - PN 25	DN 125 - PN 25	942
2 KV 50/8	1400	1000	300	753	1130	1250	1600	500	270	170	250	210	18x8	DN 125 - PN 25	DN 125 - PN 25	976
2 KV 50/9	1400	1000	300	807	1130	1250	1750	500	270	170	250	210	18x8	DN 125 - PN 25	DN 125 - PN 25	1200



3 KV 32 - 40 - 50

3 KV 32/3	1100	1200	245	384	840	1250	915	325	195	130	200	160	18x4	DN 80 - PN 16	DN 80 - PN 16	545
3 KV 32/4	1100	1200	245	429	840	1250	960	325	195	130	200	160	18x4	DN 80 - PN 16	DN 80 - PN 16	565
3 KV 32/5	1100	1200	245	474	840	1250	1080	325	195	130	200	160	18x4	DN 80 - PN 16	DN 80 - PN 16	643
3 KV 32/6	1100	1200	245	519	840	1250	1125	325	195	130	200	160	18x4	DN 80 - PN 16	DN 80 - PN 16	675
3 KV 32/7	1100	1200	245	564	840	1250	1170	325	195	130	200	160	18x4	DN 80 - PN 25	DN 80 - PN 25	694
3 KV 32/8	1100	1200	245	609	840	1250	1215	325	195	130	200	160	18x4	DN 80 - PN 25	DN 80 - PN 25	735
3 KV 40/3	1300	1200	260	425	1030	1250	1030	450	250	135	220	180	18x8	DN 100 - PN 16	DN 100 - PN 16	813
3 KV 40/4	1300	1200	260	470	1030	1250	1080	450	250	135	220	180	18x8	DN 100 - PN 16	DN 100 - PN 16	840
3 KV 40/5	1300	1200	260	530	1030	1250	1130	450	250	135	220	180	18x8	DN 100 - PN 16	DN 100 - PN 16	873
3 KV 40/6	1300	1200	260	575	1030	1250	1250	450	250	135	220	180	18x8	DN 100 - PN 16	DN 100 - PN 16	1026
3 KV 40/7	1300	1200	260	625	1030	1250	1375	450	250	135	220	180	18x8	DN 100 - PN 25	DN 100 - PN 25	1070
3 KV 40/8	1300	1200	260	675	1030	1250	1425	450	250	135	220	180	18x8	DN 100 - PN 25	DN 100 - PN 25	1090
3 KV 50/3	1400	1200	300	483	1160	1250	1120	510	280	180	285	240	22x8	DN 150 - PN 16	DN 150 - PN 16	1050
3 KV 50/4	1400	1200	300	536	1160	1250	1240	510	280	180	285	240	22x8	DN 150 - PN 16	DN 150 - PN 16	1156
3 KV 50/5	1400	1200	300	591	1160	1250	1380	510	280	180	285	240	22x8	DN 150 - PN 16	DN 150 - PN 16	1290
3 KV 50/6	1400	1200	300	645	1160	1250	1465	510	280	180	285	240	22x8	DN 150 - PN 16	DN 150 - PN 16	1325
3 KV 50/7	1400	1200	300	699	1160	1250	1465	510	280	180	285	240	22x8	DN 150 - PN 25	DN 150 - PN 25	1390
3 KV 50/8	1400	1200	300	753	1160	1250	1600	510	280	180	285	240	22x8	DN 150 - PN 25	DN 150 - PN 25	1450
3 KV 50/9	1400	1200	300	807	1160	1250	1750	510	280	180	285	240	22x8	DN 150 - PN 25	DN 150 - PN 25	1770

