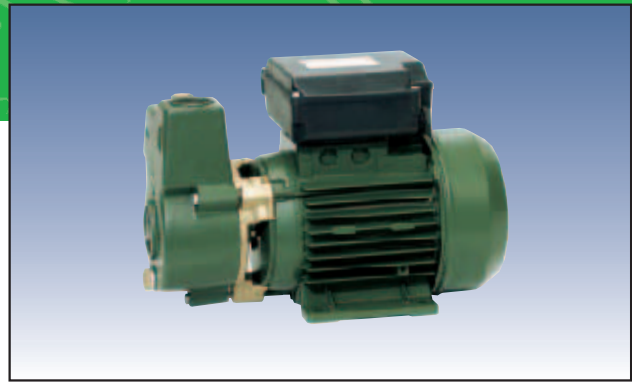


KPA

PERIPHERAL PUMPS



Self-priming peripheral pump with star impeller, with a great suction capacity. Cast iron body with brass ring. Motor support and impeller in brass to avoid the risk of blocking. Driving shaft in stainless steel. Carbon/ceramic mechanical seal. Asynchronous, closed motor, cooled by external ventilation. Built-in thermal and current overload protection and a capacitor permanently on in the single-phase version. For the protection of the three-phase motor it is advisable to use a suitable overload protection complying with the regulations in force.

Operating range: from 8 to 45 l/min. with head up to 53 metres.

Liquid temperature range: from -10°C to +80°C
from 0°C to +35°C for domestic use.

Pumped liquid characteristics: clean, free from solids or abrasive substances, not viscous, not aggressive, not crystallised and chemically neutral.

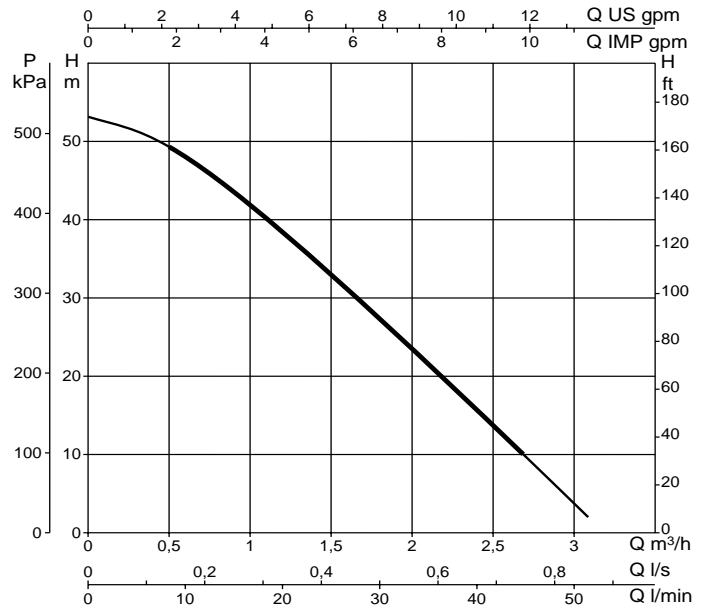
Maximum ambient temperature: +40°C

Maximum working pressure: 10 bar (1000 kPa).

Protection level: IP 44 (IP 55 terminal board protection).

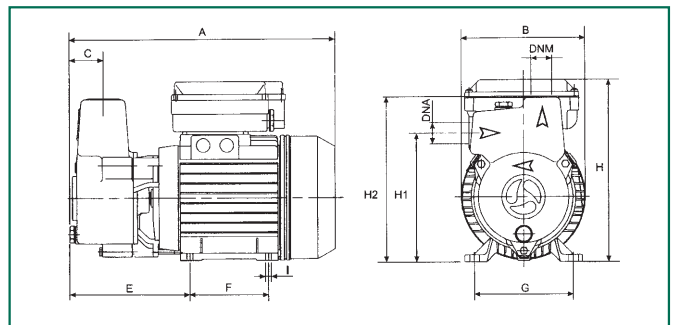
Insulation class: F

ELECTRICAL AND HYDRAULIC DATA



MODEL	ELECTRICAL DATA					HYDRAULIC DATA										
	VOLTAGE 50 Hz	P1 MAX kW	P2 NOMINAL		In A	CAPACITOR		Q								
			kW	HP		μF	Vc	m³/h	0	0,6	0,9	1,2	1,8	2,4	2,7	
KPA 40/20 M	1x220-240 V ~	1,85	0,75	1	4,7	20	450	0	0	10	15	20	30	40	45	
KPA 40/20 T	3x230-400 V ~	1	0,75	1	3,6-2,1	-	-	H (m)	53	48	43	38	27	16	10	

DIMENSIONS AND WEIGHTS



MODEL	A	B	C	E	F	G	I Ø	H	HH1	H2	DNA	DNM	PACKAGING DIMENSIONS			VOLUME m³	WEIGHT Kg
													L/A	L/B	H		
KPA 40/20	301	142	38	136	90	112	7	206	146	187	1" G	1" G	406	267	402	0,044	12,40