

2 JET SETS WITH 2 SELF-PRIMING PUMPS



Booster set with two self-priming JET electric pumps complete with base, suction and delivery manifold, two membrane tanks and electrical panel fitted with:

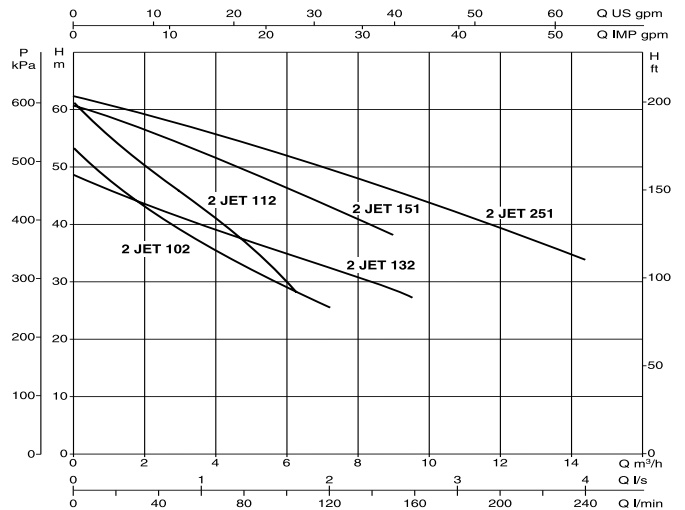
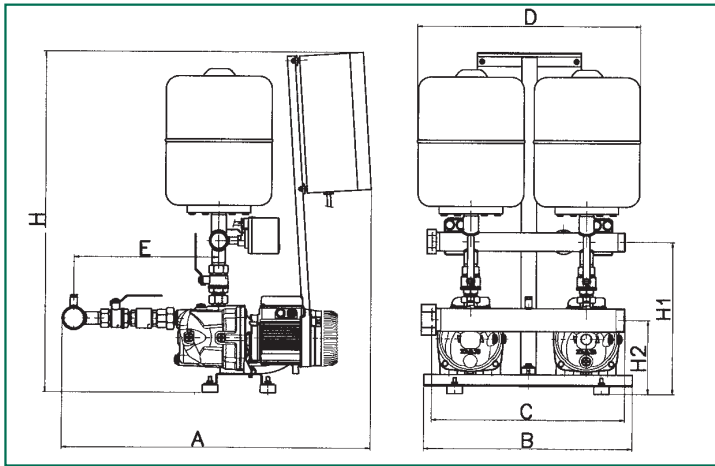
Single-phase version:

- Automatic inverter for exchanging the order of pump starting at each start-up
- Main switch
- Float or pressure switch can be inserted as protection against operation without water
- Low voltage auxiliary circuit complete with transformer and fuse

Three-phase version:

- Automatic inverter for exchanging the order of pump starting at each start-up
- Accident prevention "door interlock" main switch
- Low voltage auxiliary circuit complete with transformer and fuse
- Float or pressure switch can be inserted as protection against operation without water
- The units are supplied: **in the version with tanks** (air connector available on request)
in the version with air connector (tank on request)

ELECTRICAL AND HYDRAULIC DATA



MODEL	VOLTAGE 50 Hz	P2 NOMINAL		In A	FLOW RATE L/h	MAX PRESSURE OBTAINABLE BAR	PRESSURE SWITCH SETTING IN BAR
		kW	HP				
2 JET 102 M	1x220-240 V~	2x0,75	2x1	2x5,1	6.6-3.0	5	2,5÷4
2 JET 112 M	1x220-240 V~	2x1	2x1,36	2x7	6.6-3.0	5,8	3,5÷5
2 JET 132 M	1x220-240 V~	2x1	2x1,36	2x7	9.6-3.0	4,6	2,5÷4
2 JET 151 M	1x220-240 V~	2x1,1	2x1,5	2x7,2	9.4-5.0	6,1	3,3÷5
2 JET 251 M	1x220-240 V~	2x1,85	2x2,5	2x10	14.0-7.2	6,4	3,3÷5
2 JET 102 T	3x400 V~	2x0,75	2x1	2x1,98	6.6-3.0	5	2,5÷4
2 JET 112 T	3x400 V~	2x1	2x1,36	2x2,7	6.6-3.0	5,8	3,5÷5
2 JET 132 T	3x400 V~	2x1	2x1,36	2x2,7	9.6-3.0	4,6	2,5÷4
2 JET 151 T	3x400 V~	2x1,1	2x1,5	2x3	9.4-5.0	6	3,3÷5
2 JET 251 T	3x400 V~	2x1,85	2x2,5	2x4	14.4-7.2	6	3,3÷5

MODEL	A	B	C	D	E	H	H1	H2	Ø MANIFOLD		WEIGHT Kg
									SUCTION	DELIVERY	
2 JET 102 M	840	540	500	575	395	890	405	205	2"	1 1/2"	71
2 JET 112 M	840	540	500	575	395	890	405	205	2"	1 1/2"	74
2 JET 132 M	840	540	500	575	395	890	405	205	2"	1 1/2"	77
2 JET 151 M	960	540	500	565	535	910	465	195	2"	1 1/2"	101
2 JET 251 M	835	540	500	575	395	890	405	205	2"	1 1/2"	75
2 JET 102 T	840	540	500	575	395	890	405	205	2"	1 1/2"	75
2 JET 112 T	840	540	500	575	395	890	405	205	2"	1 1/2"	78
2 JET 132 T	840	540	500	575	395	890	405	205	2"	1 1/2"	81
2 JET 151 T	960	540	500	565	535	910	465	195	2"	1 1/2"	105
2 JET 251 T	960	540	500	565	535	910	465	195	2"	1 1/2"	108