

2-3 KVE 3-6-10 SETS WITH 2-3 MULTISTAGE CENTRIFUGAL PUMPS ON A VERTICAL AXIS



Water lifting sets suitable for domestic, small installations for civil, agricultural or industrial use.

The use of vertically-mounted multistage centrifugal electric pumps ensures outstanding performance and elevated efficiency.

They are particularly compact and strong, totally reliable and extremely silent-running.

HYDRAULIC PART

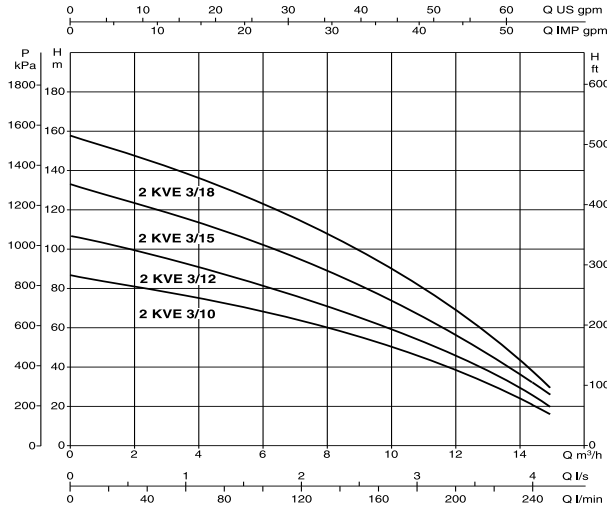
- 2-3 KV3 – 6 – 10 vertical multistage electric pump;
- Tropicalised galvanised sheet base complete with 4 anti-vibration rubber feet;

- Suction and delivery manifold in tropicalised galvanised steel (threaded for 2 KVE 3-6-10 and 3 KV 3-6 sets, flanged for 3 KVE 10 sets);
- Caps or blank flanges for closing manifolds;
- Ball valves on the suction and delivery pipe union of each single pump;
- Check valve on the suction side of each pump;
- 2-3 membrane tanks;
- Radial pressure gauge with shut-off valve;
- Galvanised steel column support for electrical panel;

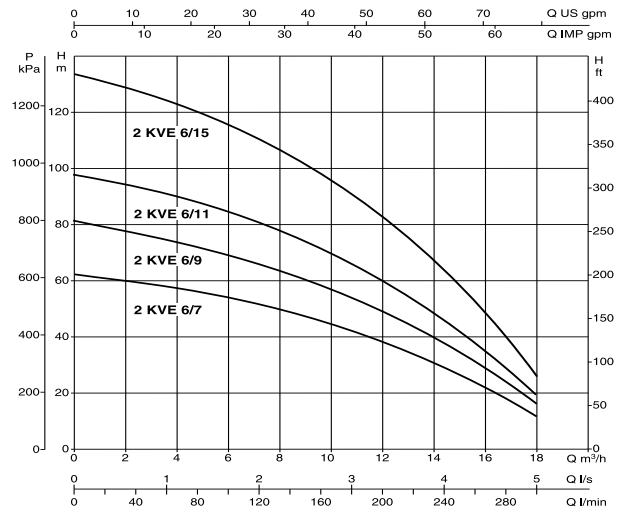
ELECTRICAL AND HYDRAULIC DATA

MODEL	VOLTAGE	P2 NOMINAL		In	Q MIN - MAX m ³ /h	ADJUSTABLE PRESSURE MAX - MIN BAR
	50 Hz	kW	HP	A		
2 KVE 3/10	3x400 V ~	2x1,1	2x1,5	2x3,2	2 - 16	7 - 2
2 KVE 3/12	3x400 V ~	2x1,5	2x2	2x3,7	2 - 16	9 - 2,5
2 KVE 3/15	3x400 V ~	2x1,84	2x2,5	2x4,3	2 - 16	11 - 3
2 KVE 3/18	3x400 V ~	2x2,2	2x3	2x5,8	2 - 16	13 - 4
2 KVE 6/7	3x400 V ~	2x1,1	2x1,5	2x2,9	2 - 18	5 - 2
2 KVE 6/9	3x400 V ~	2x1,5	2x2	2x3,6	2 - 18	7 - 2,5
2 KVE 6/11	3x400 V ~	2x1,84	2x2,5	2x4,2	2 - 18	9 - 3
2 KVE 6/15	3x400 V ~	2x2,2	2x3	2x6,3	2 - 18	12 - 4
2 KVE 10/4	3x400 V ~	2x1,1	2x1,5	2x3,5	3 - 29	3,5 - 1,5
2 KVE 10/5	3x400 V ~	2x1,5	2x2	2x3,9	3 - 29	4,5 - 2
2 KVE 10/6	3x400 V ~	2x1,5	2x2	2x5	3 - 29	5 - 2
2 KVE 10/8	3x400 V ~	2x2,2	2x3	2x6,8	3 - 29	7 - 3
3 KVE 3/10	3x400 V ~	3x1,1	3x1,5	3x3,2	2 - 24	7 - 2
3 KVE 3/12	3x400 V ~	3x1,47	3x2	3x3,7	2 - 24	9 - 2,5
3 KVE 3/15	3x400 V ~	3x1,87	3x2,5	3x4,3	2 - 24	11 - 3
3 KVE 3/18	3x400 V ~	3x2,2	3x3	3x5,8	2 - 24	13 - 4
3 KVE 6/7	3x400 V ~	3x1,1	3x1,5	3x2,9	2 - 27	5 - 2
3 KVE 6/9	3x400 V ~	3x1,47	3x2	3x3,6	2 - 27	7 - 2,5
3 KVE 6/11	3x400 V ~	3x1,84	3x2,5	3x4,2	2 - 27	9 - 3
3 KVE 6/15	3x400 V ~	3x2,2	3x3	3x6,3	2 - 27	12 - 4
3 KVE 10/4	3x400 V ~	3x1,1	3x1,5	3x3,5	3 - 43	3,5 - 1,5
3 KVE 10/5	3x400 V ~	3x1,47	3x2	3x3,9	3 - 43	4,5 - 2
3 KVE 10/6	3x400 V ~	3x1,84	3x2,5	3x5	3 - 43	5 - 2
3 KVE 10/8	3x400 V ~	3x2,2	3x3	3x6,8	3 - 43	7 - 3

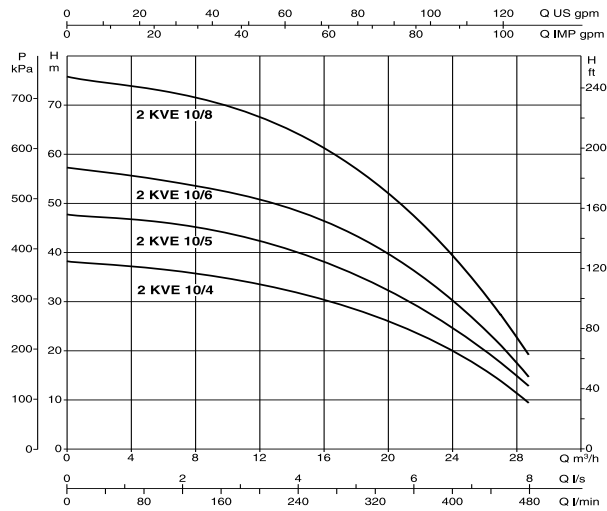
2 KVE 3



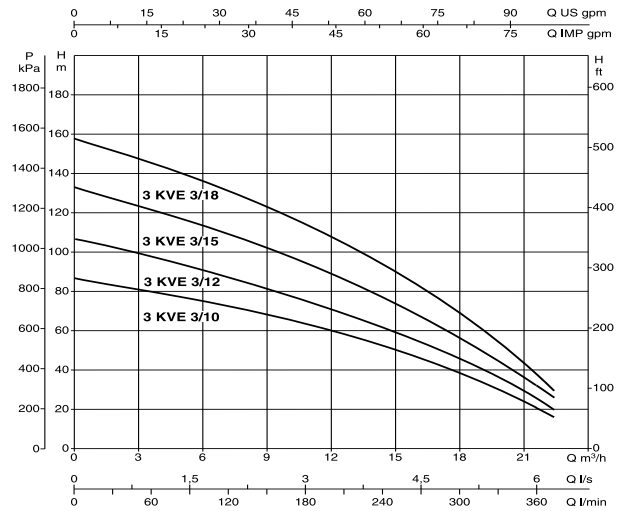
2 KVE 6



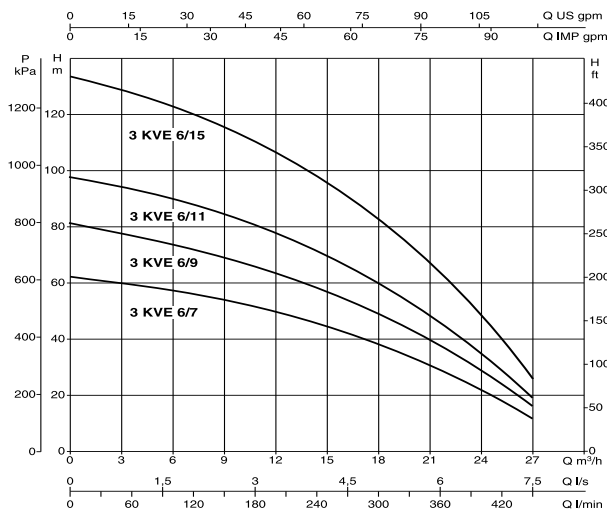
2 KVE 10



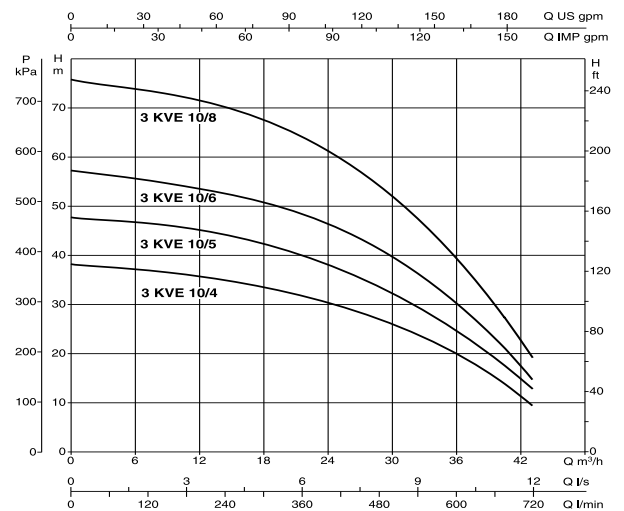
3 KVE 3



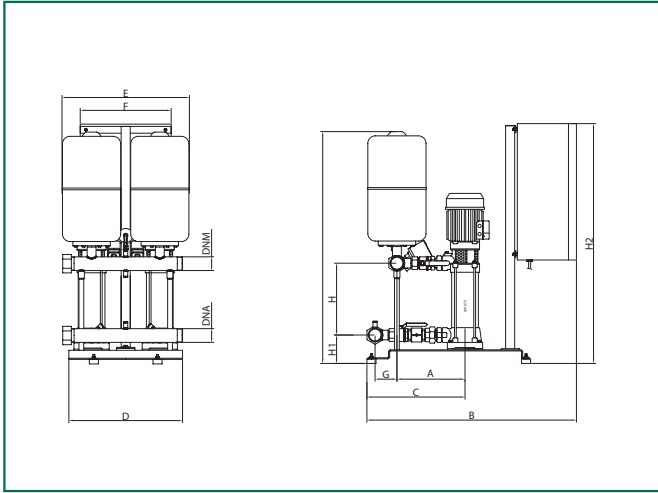
3 KVE 6



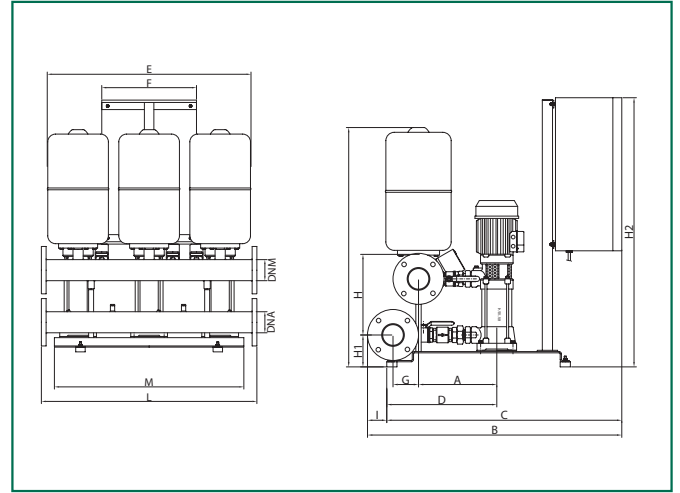
3 KVE 10



2 KVE



3 KVE



MODEL	A	B	C	D	E	F	G	H	H1	H2	I	L	M	MANIFOLD		WEIGHT Kg
														DNA	DNM	
2 KVE 3/10	292	922	432	500	560	400	100	1117	412	1055	-	-	-	2"	2"	123
2 KVE 3/12	292	922	432	500	560	400	100	1181	476	1055	-	-	-	2"	2"	131
2 KVE 3/15	292	922	432	500	560	400	100	1277	572	1055	-	-	-	2"	2"	134
2 KVE 3/18	292	922	432	500	560	400	100	1373	668	1055	-	-	-	2"	2"	141
2 KVE 6/7	292	922	432	500	560	400	100	1021	316	1055	-	-	-	2"	2"	125
2 KVE 6/9	292	922	432	500	560	400	100	1085	380	1055	-	-	-	2"	2"	121
2 KVE 6/11	292	922	432	500	560	400	100	1149	444	1055	-	-	-	2"	2"	127
2 KVE 6/15	292	922	432	500	560	400	100	1277	572	1055	-	-	-	2"	2"	147
2 KVE 10/4	300	922	432	500	560	400	100	925	220	1055	-	-	-	2 1/2"	2 1/2"	117
2 KVE 10/5	300	922	432	500	560	400	100	957	252	1055	-	-	-	2 1/2"	2 1/2"	130
2 KVE 10/6	300	922	432	500	560	400	100	989	284	1055	-	-	-	2 1/2"	2 1/2"	135
2 KVE 10/8	300	922	432	500	560	400	100	1053	348	1055	-	-	-	2 1/2"	2 1/2"	133
3 KVE 3/10	300	922	432	800	860	400	100	1125	412	1055	-	-	-	2 1/2"	2 1/2"	248
3 KVE 3/12	300	922	432	800	860	400	100	1189	476	1055	-	-	-	2 1/2"	2 1/2"	250
3 KVE 3/15	300	922	432	800	860	400	100	1285	572	1055	-	-	-	2 1/2"	2 1/2"	253
3 KVE 3/18	300	922	432	800	860	400	100	1381	668	1055	-	-	-	2 1/2"	2 1/2"	255
3 KVE 6/7	300	922	432	800	860	400	100	1029	316	1055	-	-	-	2 1/2"	2 1/2"	125
3 KVE 6/9	300	922	432	800	860	400	100	1093	380	1055	-	-	-	2 1/2"	2 1/2"	248
3 KVE 6/11	300	922	432	800	860	400	100	1157	444	1055	-	-	-	2 1/2"	2 1/2"	256
3 KVE 6/15	300	922	432	800	860	400	100	1285	572	1055	-	-	-	2 1/2"	2 1/2"	265
3 KVE 10/4	307	997	922	432	860	400	100	938	220	1055	76	910	800	DN 80	DN 80	268
3 KVE 10/5	307	997	922	432	860	400	100	970	252	1055	76	910	800	DN 80	DN 80	269
3 KVE 10/6	307	997	922	432	860	400	100	1002	284	1055	76	910	800	DN 80	DN 80	271
3 KVE 10/8	307	997	922	432	860	400	100	1066	348	1055	76	910	800	DN 80	DN 80	267